

REACH STANDING TABLE



Description

The REACH-TAB-CV-4848-FM-33-37 standing table is the perfect addition to any space where collaboration and hands on learning are taking place. Whether it be a maker space, art studio, common area, or classroom these standing height tables come with a choice of two different size tops and standing height legs in 2 options to best fit your age range.

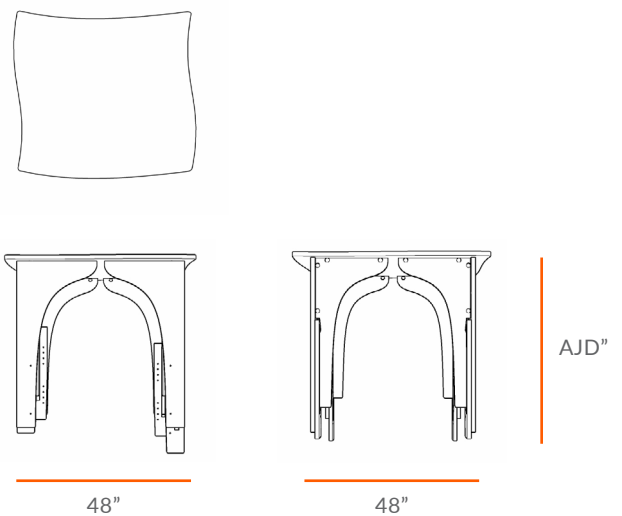
Product features

- Standing table top: **48"x48"**
- Adjustable standing table legs: **33-37"**
- Floor glides

33"	Grade 3-5
36"	Grade 6-8
39"	Grade 9-10
42"	Grade 11+

Views

Refer to Technical Sheet for more details.



Materials

- Europly FSC Certified hardwood plywood (FSC R 012337)

natural pod™

TECHNICAL DRAWING

REACH STANDING TABLE

LENGTH 48"

DEPTH 48"

HEIGHT 33" - 37"

Dimensions indicated are approximate. Please contact us if you require clarification.

